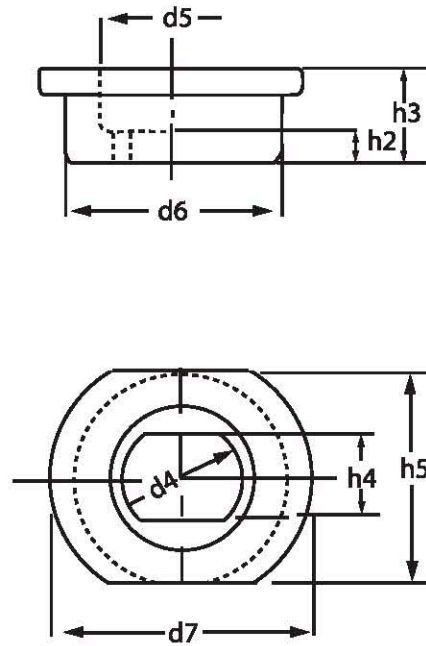
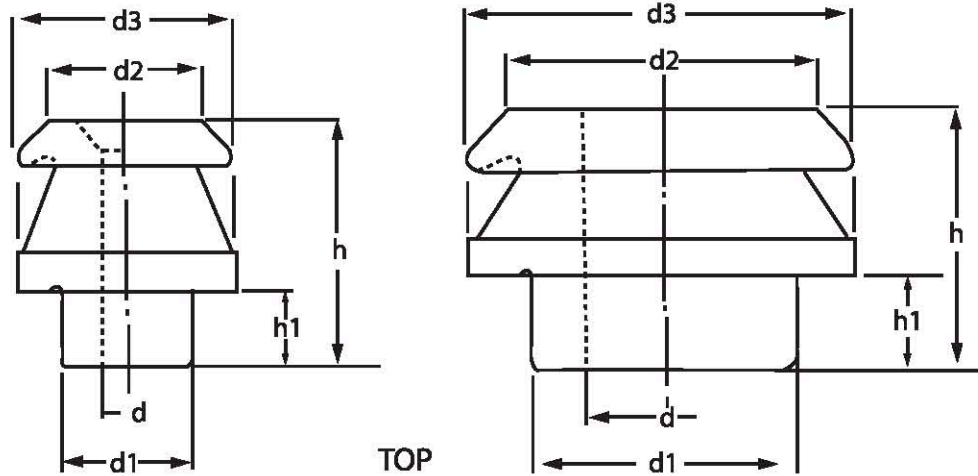
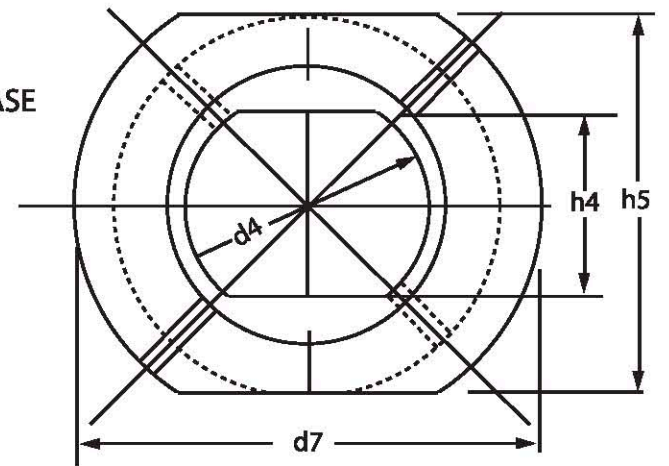


LOW VOLTAGE TRANSFORMER BUSHINGS



TR 200
TR 600

BASE

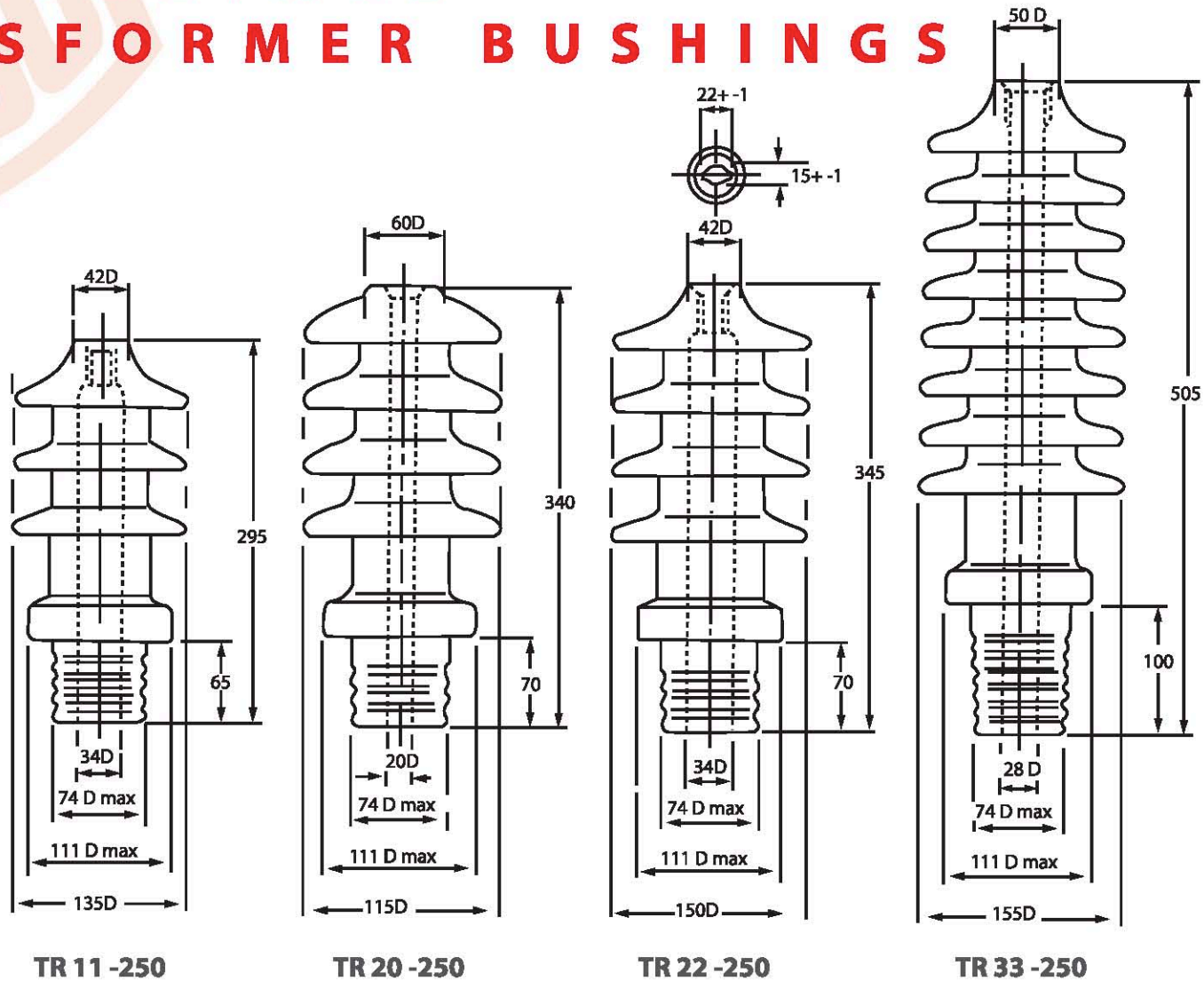


TR 1000
TR 2000
TR 3000

Standard Particulars

CAT. NO.	Rating Amps	DIMENSIONS														Weight Per Set Kg
		TOP						BASE								
		d min: mm	d1 max: mm	d2 mm	d3 mm	h max: mm	h1 max: mm	d4 min: mm	d5 min: mm	d6 mm	d7 mm	h2 mm	h3 min: mm	h4 min: mm	h5 mm	
TR 200	200	14	27	42	55	70	25	26	30	50	60	10	30	20	50	0.26
TR 600	600	22	43	48	70	80	25	41	46	70	85	10	30	28	70	0.54
TR 1000	1000	32	53	66	90	85	30	46	57	90	110	10	35	37	90	0.92
TR 2000	2000	44	66	80	104	85	30	64	70	104	125	10	35	51	104	1.14
TR 3000	3000	50	86	100	125	85	30	80	90	125	150	10	35	61	125	1.91

HIGH VOLTAGE TRANSFORMER BUSHINGS

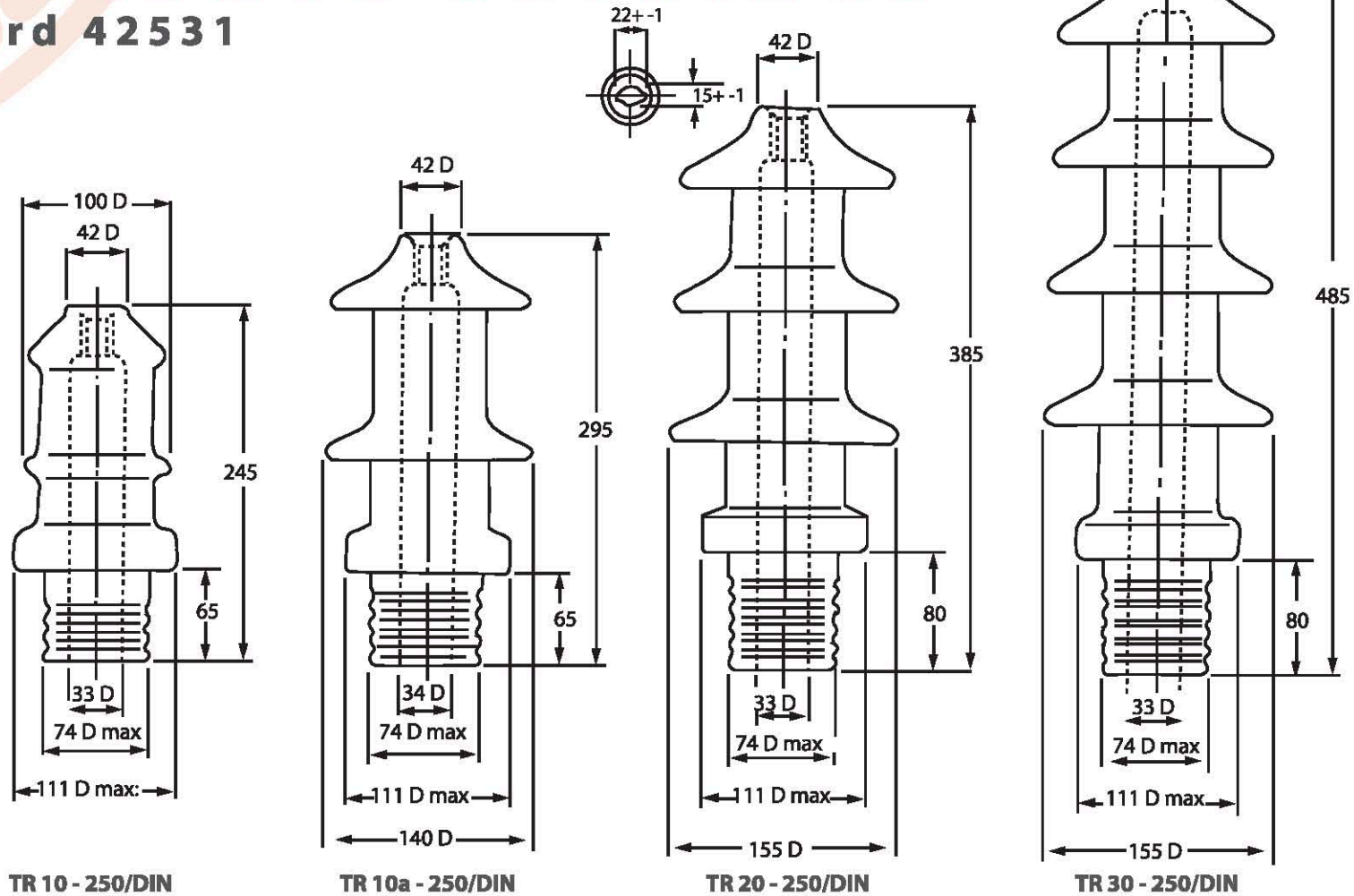


Standard Particulars

CAT. NO.		TR 11 - 250	TR 20 - 250	TR 22 - 250	TR 33 - 250
Voltage Rating	kV	11	20	22	33
Leakage Distance	mm	355	508	500	900
Impulse Withstand	kV	75	125	125	170
Weight Per Piece	kg	3.25	5.04	4.45	9.17

HIGH VOLTAGE TRANSFORMER BUSHINGS

DIN Standard 42531



Standard Particulars

CAT. NO.		TR 10 - 250 /DIN	TR 10a - 250/DIN	TR 20 - 250/DIN	TR 33 - 250/DIN
DIN Ref		10 Ni 250	10 Nf 250	20 Nf 250	30 Nf 250
Voltage Rating	kV	10	10	20	30
Leakage Distance	mm	180	290	445	600
Impulse Withstand	kV	60	75	125	170
Weight Per Piece	kg	2.40	3.05	5.00	6.30

DIN Standard: 42531