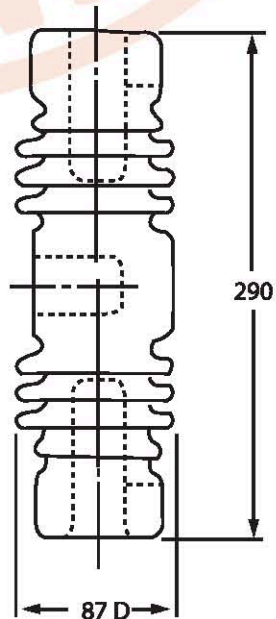
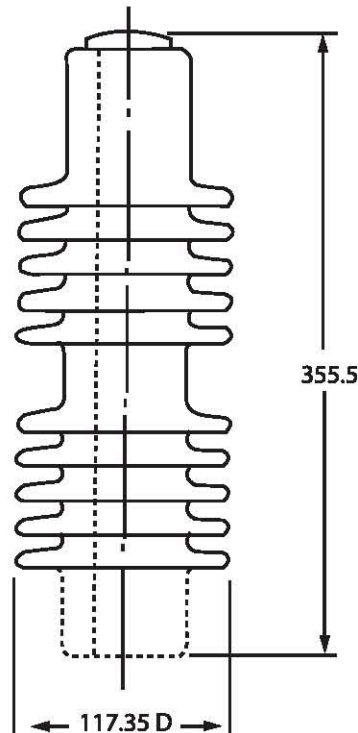


# DROPOUT CUTOUT INSULATORS

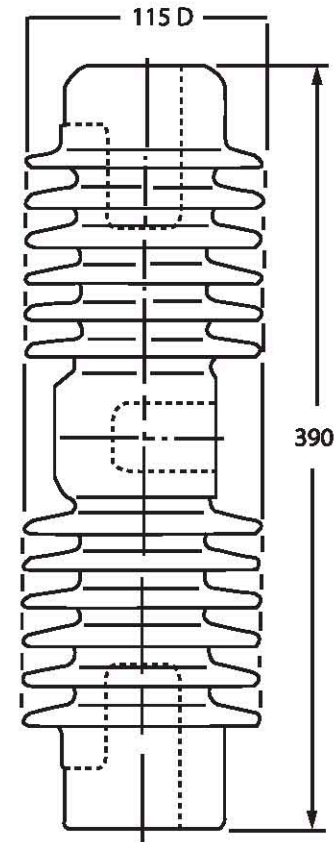
Outdoor Type



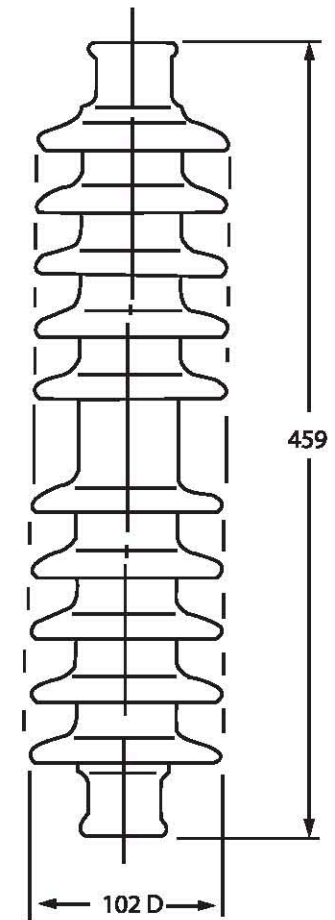
DC-11-95



DC-11a-95



DC-20-125



DC-25.8-150

## Standard Particulars

CAT. NO.		DC 11-95	DC 11a-95	DC 20-125	DC 25.8-150
Leakage Distance	mm	155	305	400	340
Dry Arcing Distance	mm	95	155	160	200
Cantilever Strength	kN	6	6	2	2
Power Frequency Flashover Dry	kV	70	70	-	-
Power Frequency Flashover Wet	kV	40	40	-	-
Dry One Minute Power Frequency Withstand	kV	65	65	55	75
Wet One Minute Power Frequency Withstand	kV	35	35	40	60
Impulse Withstand	kV	95	95	125	150
Weight Per Piece	kg	2.70	4.00	4.90	3.70