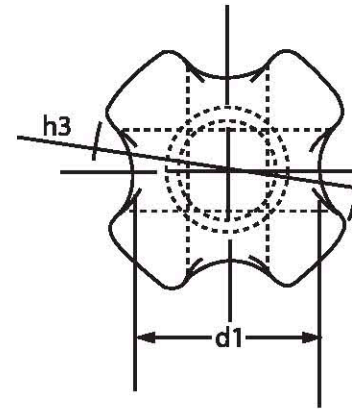
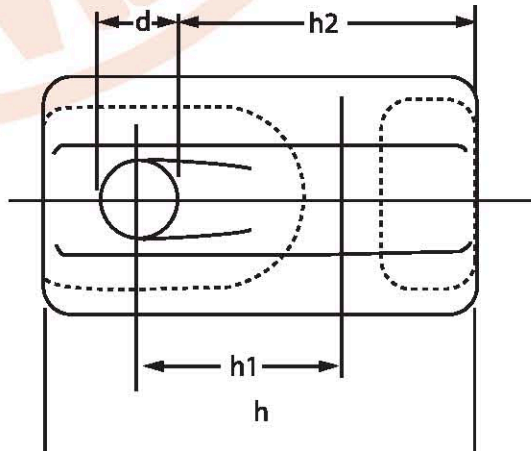
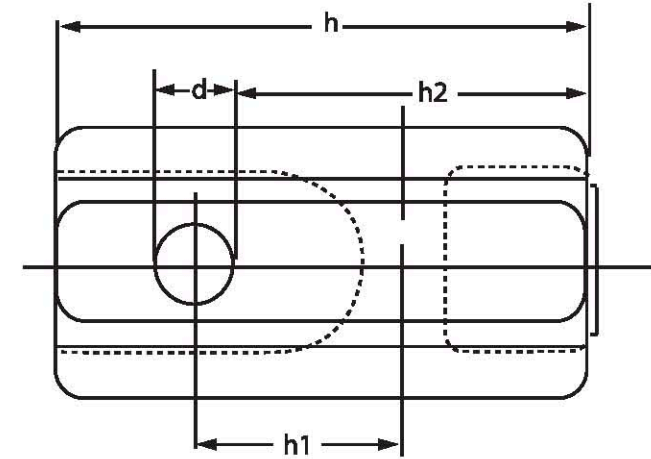


STRAIN INSULATORS

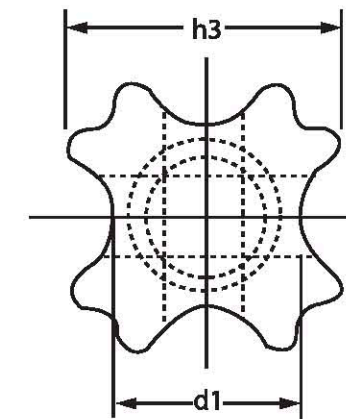
ANSI Standard Type



GS 45/SI
GS 53/SI
GS 89/SI



GS 89a/SI



Standard Particulars

CAT. NO.			GS 45/SI	GS 53/SI	GS 89/SI	GS 89a/SI
ANSI Class			54-1	54-2	54-3	54-4
Tensile Strength		kN	45	53	89	89
Average Flashover Voltage	Low Frequency Dry	kV	25	30	35	40
	Low Frequency Wet	kV	12	15	18	23
Leakage Distance		mm	41	48	57	76
DIMENSIONS	d	mm	16	22	25.4	25.4
	d1	mm	45	54	60	60
	h	mm	89	108	140	171
	h1	mm	45	57	79	67
	h2 max:	mm	64	76	103	114
	h3	mm	64D	73D	86D	89
Weight Per Piece		kg	0.43	0.74	1.23	2.10

Testing Specifications: ANSI C29.4-1989