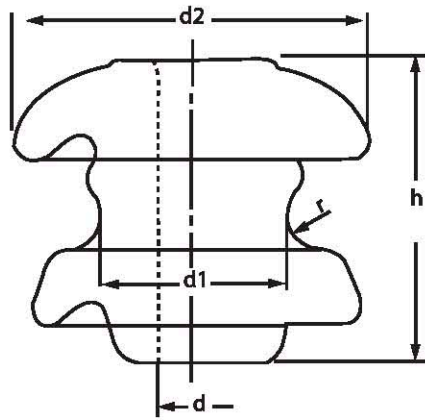
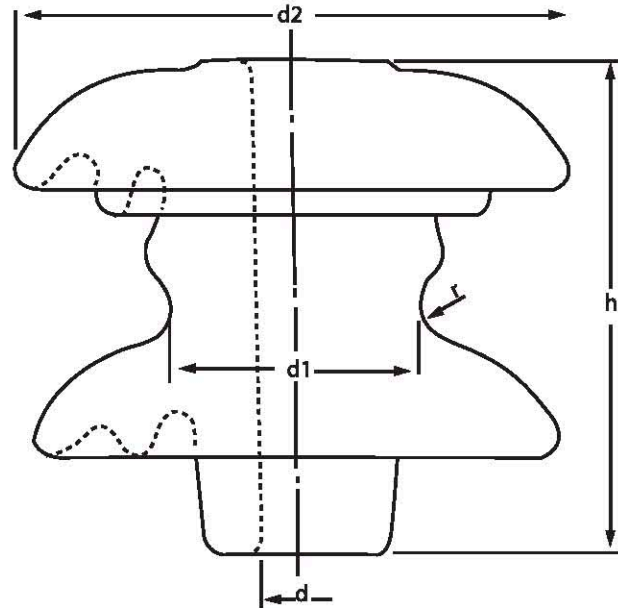


# SHACKLE INSULATORS

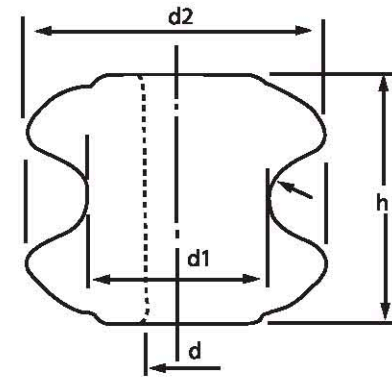
ANSI Standard Type



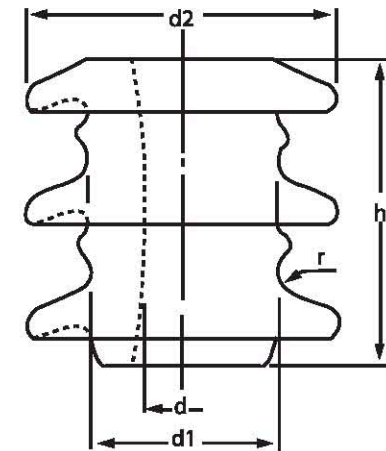
LT9  
LT11



LT 11a  
LT 13



LT14



LT13a

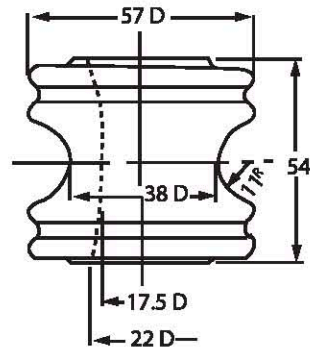
## Standard Particulars

CAT. NO.			LTP 9	LT 11	LT 11 a	LT 13	LT 14	LT 13a
Transverse Strength		kN	9	11	11	13	14	13
Average Flashover Voltage	Low Frequency Dry	kV	15	25	30	40	17	28
	Low Frequency Wet	kV	8	13	17	24	9	15
Leakage Distance		mm	51	64	95	127	-	60
DIMENSIONS	d	mm	17.5	17.5	20.5	20.5	17.0	22
	d1	mm	32	49	54	64	47	50
	d2	mm	63	89	114	140	76	80
	r	mm	4.8	9.5	12.7	11	9	6.5
	h	mm	51	76	102	127	65	80
Weight Per Piece		kg	0.20	0.52	0.95	1.70	0.47	0.42

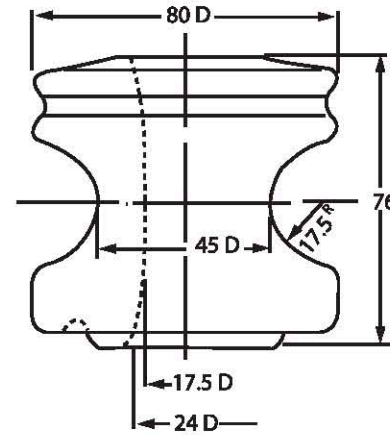
Testing Specifications: ANSI C29.1-1988

# SPOOL INSULATORS

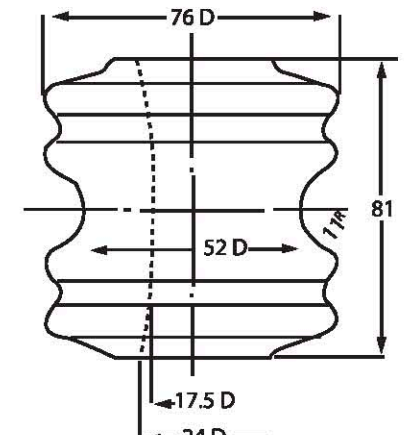
## ANSI Standard Type



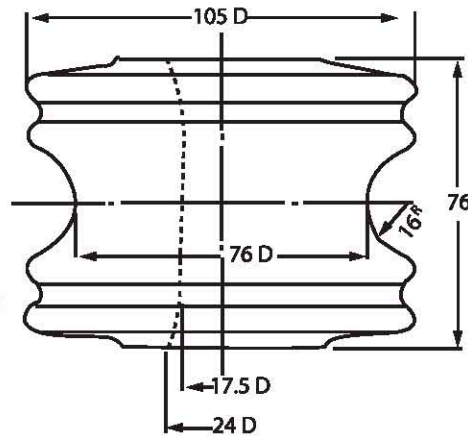
LT 9/SI



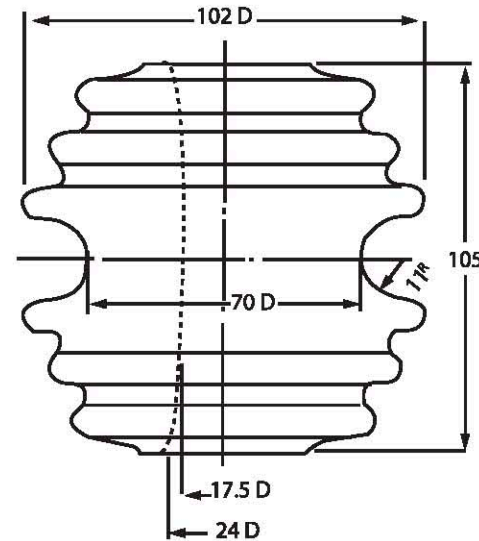
LT 13/SI



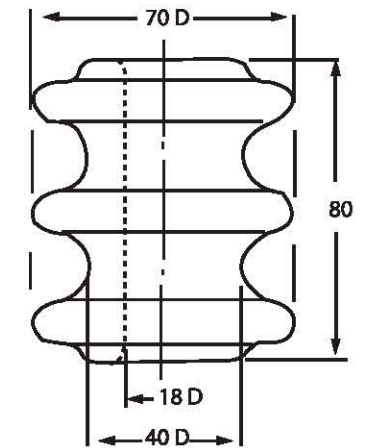
LT 18/SI



LT 20/SI



LT 27/SI



LT 13a/SI

### Standard Particulars

CAT. NO.			LT 9/SI	LT 13/SI	LT 18/SI	LT 20/SI	LT 27/SI	LT 13a/SI	
ANSI Class			53.1	53.2	53.3	53.4	53.5	-	
Transverse Strength		kN	9	13	18	20	27	13	
Average Flashover Voltage	Low Frequency Dry		kV	20	25	25	25	35	25
	Low Frequency	Vertical	kV	8	12	12	12	18	15
		Wet	Horizontal	kV	10	15	15	15	25
Weight Per Piece		kg	0.22	0.48	0.50	1.00	1.20	0.35	

Standard Specifications: ANSI C29.3-1986