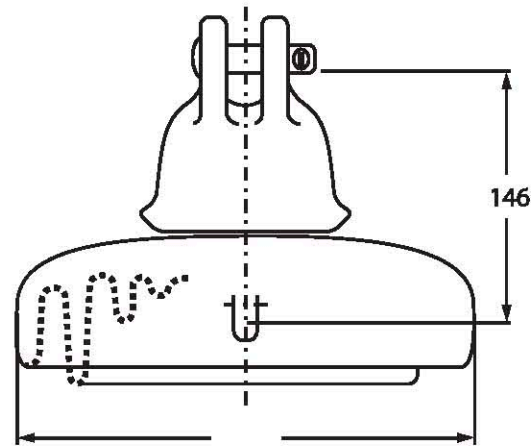
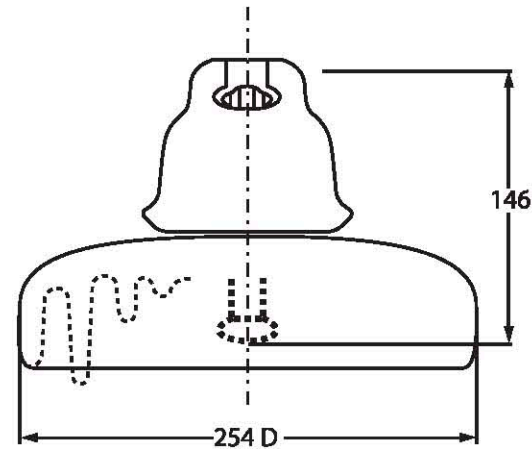


S U S P E N S I O N I N S U L A T O R S

ANSI Tongue & Clevis and
Ball & Socket Type
Fog Type



U 80 C/SI - F
U 120 C/SI - F



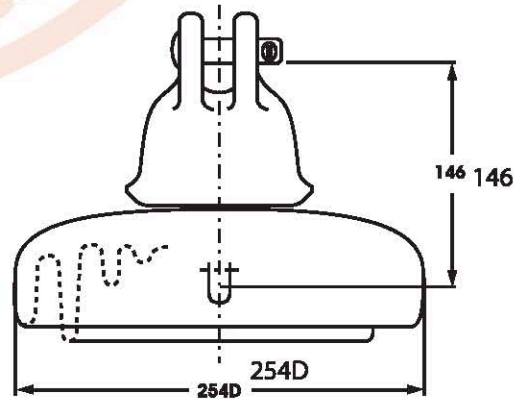
U 80 B/SI - F
U 120 B/SI - F

CAT. NO.			U 80 C/SI-F	U 120 C/SI-F	U 80 B/SI-F	U 120 B/SI-F
Porcelain Disc Diameter		mm	254	254	254	254
Unit Spacing		mm	146	146	146	146
Leakage Distance		mm	432	432	432	432
Combined M & E Strength		kN	80	120	80	120
Mechanical Impact Strength		N-m	11	11	11	11
Tension Proof Test Load		kN	40	60	40	60
Average Flashover Voltage	Low Frequency Dry	kV	95	95	95	95
	Low Frequency Wet	kV	55	55	55	55
	Critical Impulse Positive	kV	135	135	135	135
	Critical Impulse Negative	kV	145	145	145	145
Low Frequency Puncture Voltage		kV	130	130	130	130
Radio - Influence	Test Voltage to Ground	kV	10	10	10	10
Voltage Data	Maximum RIV AT 1000 KHz	μV	50	50	50	50
Weight Per Piece		kg	7.30	7.30	7.00	7.00

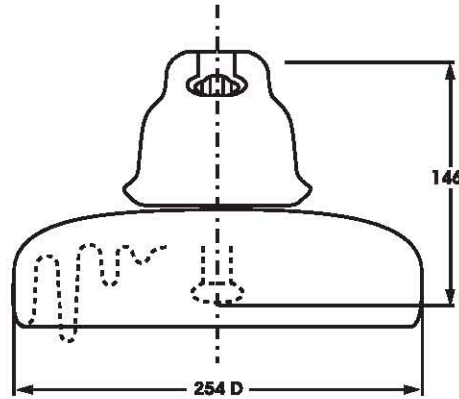
Testing Specifications: ANSI C29.2-1992
Zinc Sleeve can be provided on request

S U S P E N S I O N I N S U L A T O R S

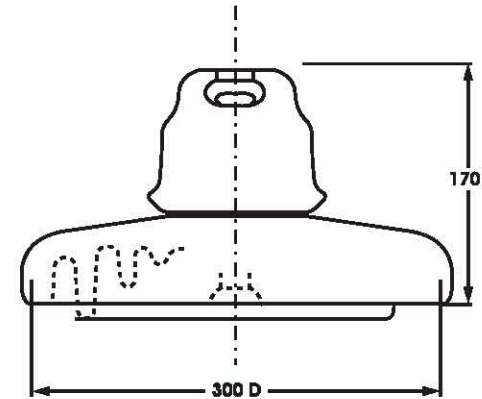
IEC Tongue & Clevis and
Ball & Socket Type
Fog Type



U 80 C/E - F
U 120 C/E - F



U 80 B/E - F
U 120 B/E - F



U 160 B/E - F

Standard Particulars

CAT. NO.			U 80 C/E-F	U 120 C/E-F	U 80 B/E-F	U 120 B/E-F	U 160 B/E-F
Porcelain Disc Diameter		mm	254	254	254	254	300
Unit Spacing		mm	146	146	146	146	170
Leakage Distance		mm	432	432	432	432	470
Electromechanical Failing Load		kN	80	120	80	120	160
Mechanical Routine Test Load		kN	40	60	40	60	80
Minimum Flashover Voltage	Power Frequency Dry	kV	95	95	95	95	95
	Power Frequency Wet	kV	50	50	50	50	55
	50% Impulse Positive	kV	135	135	135	135	145
	50% Impulse Negative	kV	145	145	145	145	155
Power Frequency Withstand Dry		kV	85	85	85	85	85
Power Frequency Withstand Wet		kV	45	45	45	45	50
Impulse Withstand		kV	125	125	125	125	135
Puncture Voltage		kV	130	130	130	130	130
Weight Per Piece		kg	7.30	7.30	7.00	7.00	10.00

Testing Specifications: IEC Pub: 383-1:1993
Zinc Sleeve can be provided on request