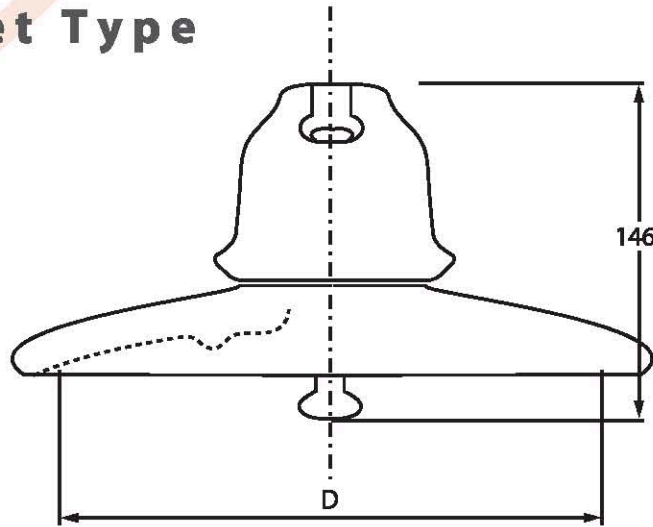


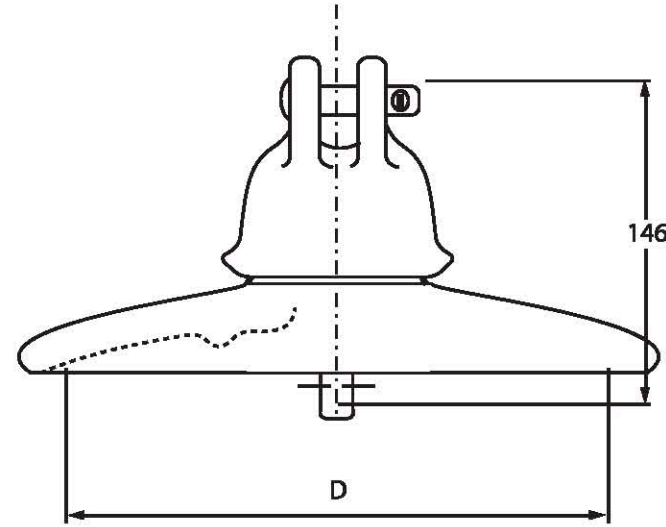
S U S P E N S I O N I N S U L A T O R S

AEROFORM

Tongue & Clevis and Ball & Socket Type



U 80 B - AS
U 80 B - AL



U 80 C - AS
U 80 C - AL

Standard Particulars

CAT. NO.			U 80 C - AS	U 80 C - AL	U 80 B - AS	U 80 B - AL
Porcelain Disc Diameter (.D)		mm	325	355	325	355
Unit Spacing		mm	146	146	146	146
Leakage Distance		mm	285	325	285	325
Electromechanical Failing Load		kN	80	80	80	80
Minimum Flashover Voltage	Power Frequency Dry	kV	75	75	75	75
	Power Frequency Wet	kV	50	55	50	55
	50% Impulse Positive	kV	95	95	95	95
	50% Impulse Negative	kV	95	95	95	95
Power Frequency Withstand Dry		kV	70	70	70	70
Power Frequency Withstand Wet		kV	45	50	45	50
Impulse Withstand		kV	90	90	90	90
Puncture Voltage		kV	125	125	125	125
Weight Per Piece		kg	6.80	7.70	6.65	7.55

Testing Specifications: IEC Pub: 383 - 1993
Zinc Sleeve can be provided on request